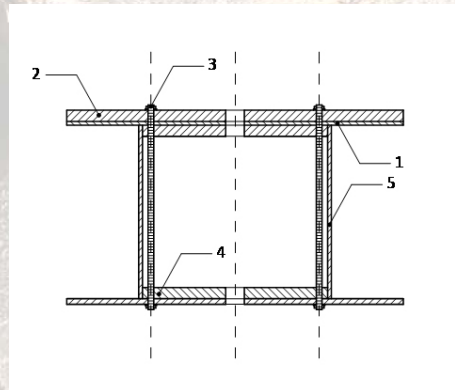
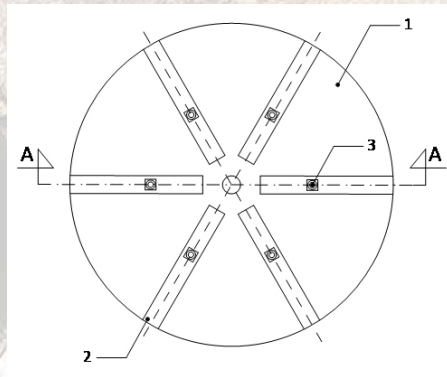




**ELMOTERM**

#12 Kosta Ratsin str, Gevgelija, Macedonia phone 00389 34 213 868

**CABLE  
XI WOOD  
WHEELS**



**Dimensions of the Wooden Wheels**

Dimension of the wheel	d1 total diameter	d2 core diameter	d3 middle opening diameter	l 1 max width of the wheel	L2 width of winding	Useful Volume	Loads	Weight	Empty Space
No	mm	mm	mm	mm	mm	dm <sup>3</sup>	Kg	Kg	mm
5	500	250*	80*	360*	260*	38	220*	10*	30
6	600*	300*	80*	440*	300	64	250	22*	50
7	700*	350*	80	490*	350*	101	400*	25	50
8	800	400	80	540*	400	151	600	35*	60
9	900	450	80	590*	450*	215	900*	44*	60
10	1000	500	80	640*	500	294	1000*	65*	80

**Dimensions of the Wooden Wheels**

<b>Dimension of the wheel</b>	<b>d1 total diameter</b>	<b>d2 core diameter</b>	<b>d3 middle opening diameter</b>	<b>l 1 max width of the wheel</b>	<b>L2 width of winding</b>	<b>Useful Volume</b>	<b>Loads</b>	<b>Weight</b>	<b>Empty Space</b>
<b>12</b>	1200	600	80	780*	600*	509	1700*	130*	80
<b>14</b>	1400	700*	80	880*	700*	808	2500*	175	100
<b>16</b>	1600	800	80	1050*	800*	1206	3500*	250*	100
<b>18</b>	1800	1000	80*	1150*	900*	1583	4500*	365*	120
<b>20</b>	2000	1200*	125*	1250*	1000*	2010	6000*	470*	120
<b>22</b>	2200*	1400*	125	1350*	1100*	2487	7000*	580*	140
<b>24</b>	2400	1500	125	1450	1200*	3306	8000*	695	140

